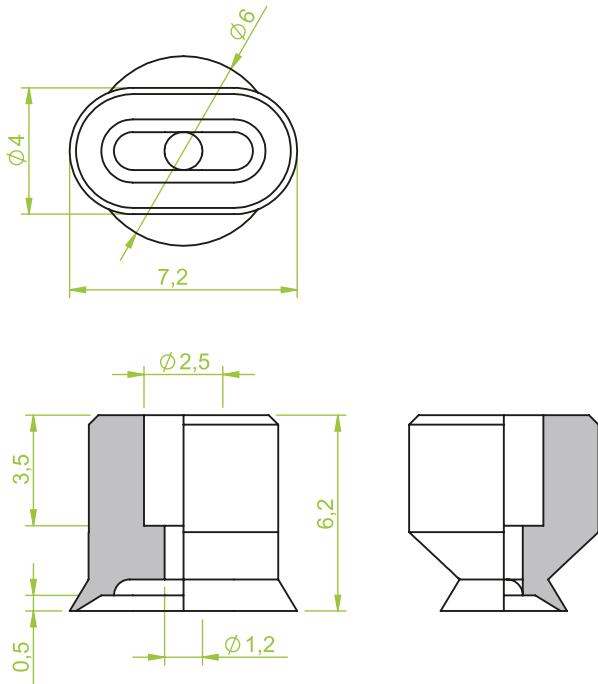


Rechteck- & Ovalsauger | Rectangular & Ovale vacuum cups

Art.: 30.007004.005\_

Gewicht | Weight: 0.1 gr  
 Hub | Stroke: 0.8 mm

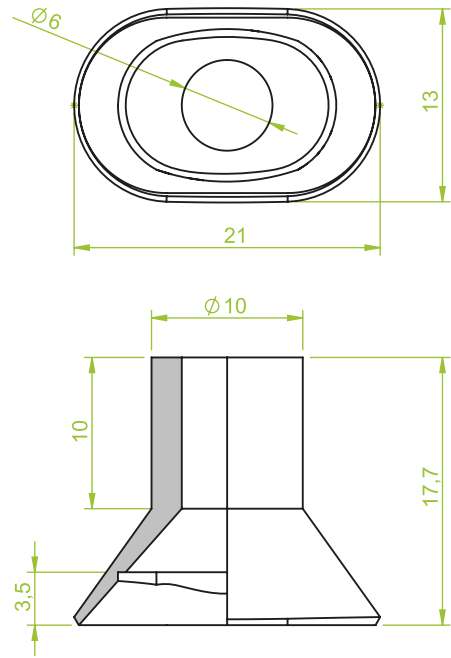


7 x 4 mm

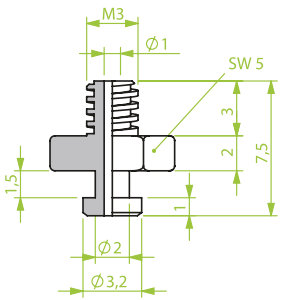
21 x 13 mm

Art.: 30.021013.072\_

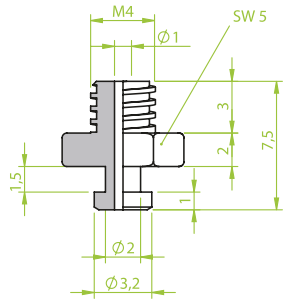
Gewicht | Weight: 0.9 gr  
 Hub | Stroke: 5.0 mm



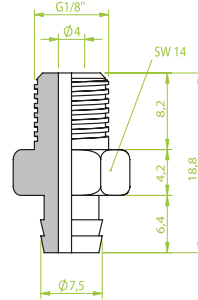
Art.: 130.014 M 3 AG



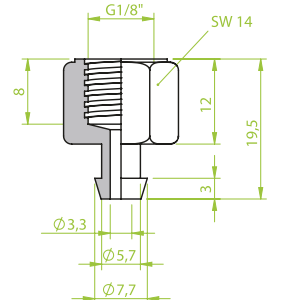
Art.: 130.111 M 4 AG



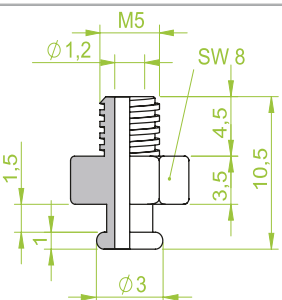
Art.: 130.238



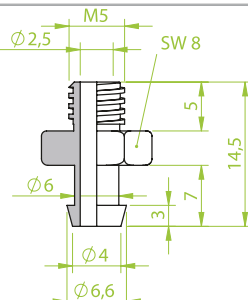
Art.: 130.109



Art.: 130.300 M 5 AG



Art.: 130.317



Rechteck- & Ovalsauger | Rectangular & Ovale vacuum cups

30 x 10 mm

36 x 12 mm

Art.: 30.030010.020\_

Gewicht | Weight: 1.4 gr  
Hub | Stroke: 2.0 mm

Art.: 30.036012.021\_

Gewicht | Weight: 2.0 gr  
Hub | Stroke: 1.8 mm

Art.: 130.005 M 5 IG

Art.: 130.037 M 5 AG

Art.: 130.005 M 5 IG

Art.: 130.094 M 5 AG

Art.: 130.094 M 5 AG

Art.: 130.095 G 1/8" AG

Art.: 130.095 G 1/8" AG

Art.: 130.096 G 1/8" IG

Art.: 130.096 G 1/8" IG

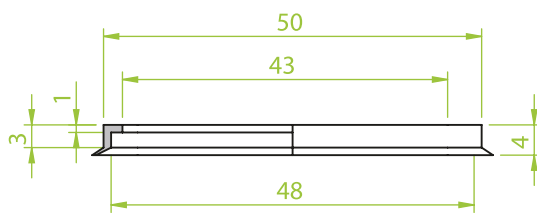
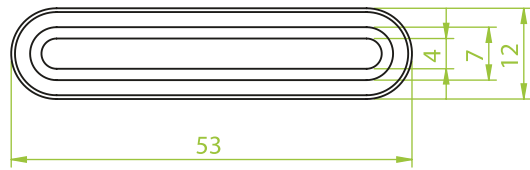
Art.: 130.103 M 6 AG

Art.: 130.103 M 6 AG

**Rechteck- & Ovalsauger | Rectangular & Ovale vacuum cups**

Art: 30.053012.071\_

Gewicht | Weight: 0.7 gr  
 Hub | Stroke: 1.5 mm

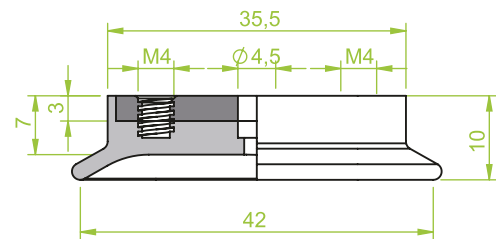
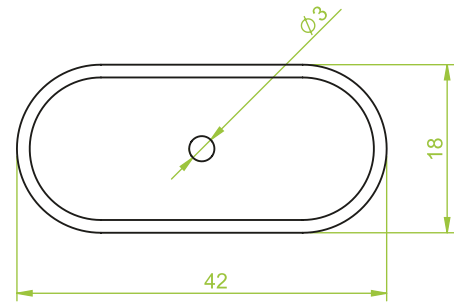


53 x 12 mm

42 x 18 mm

Art: 33.042018.033\_

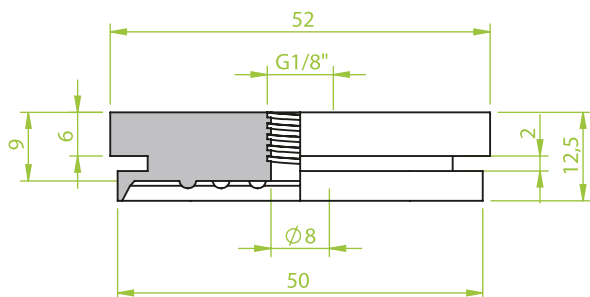
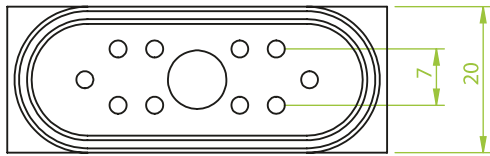
Gewicht | Weight: 5.0 gr  
 Hub | Stroke: 3.0 mm



## Rechteck- &amp; Ovalsauger | Rectangular &amp; Ovale vacuum cups

Art: 33.050020.005\_

Gewicht | Weight: 18.0 gr  
 Hub | Stroke: 3.0 mm

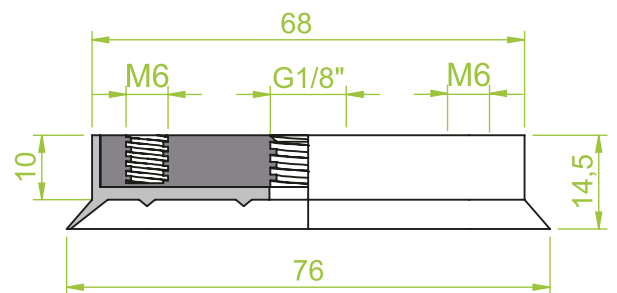
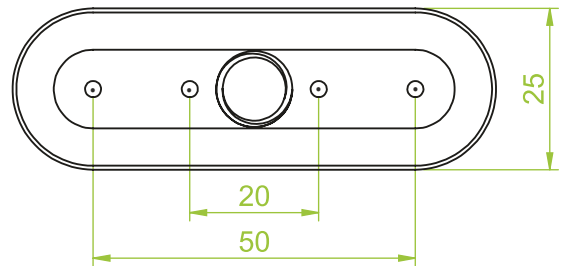


50 x 20 mm

75 x 25 mm

Art: 33.075025.022\_

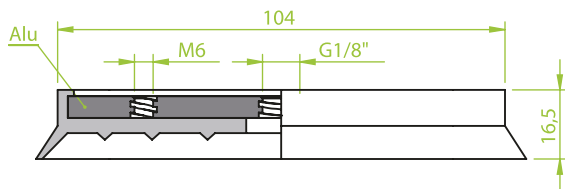
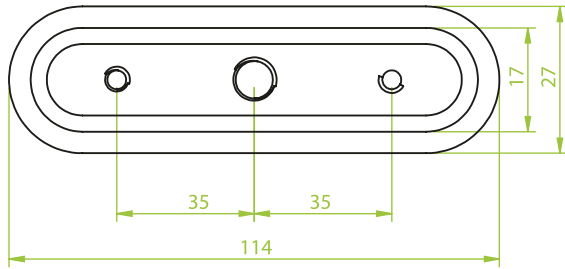
Gewicht | Weight: 23.0 gr  
 Hub | Stroke: 5.0 mm



Art.: 33.116027.024\_

Gewicht | Weight: 38.5 gr

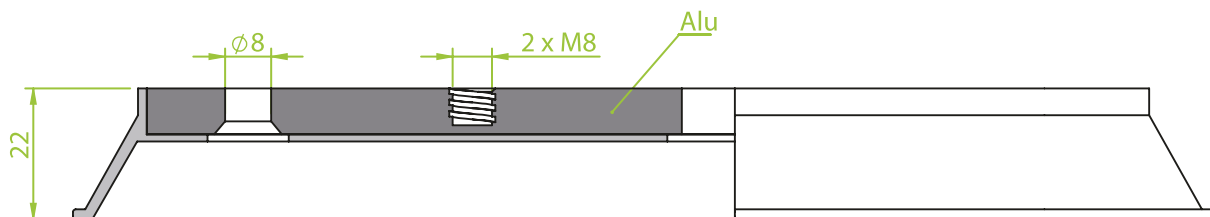
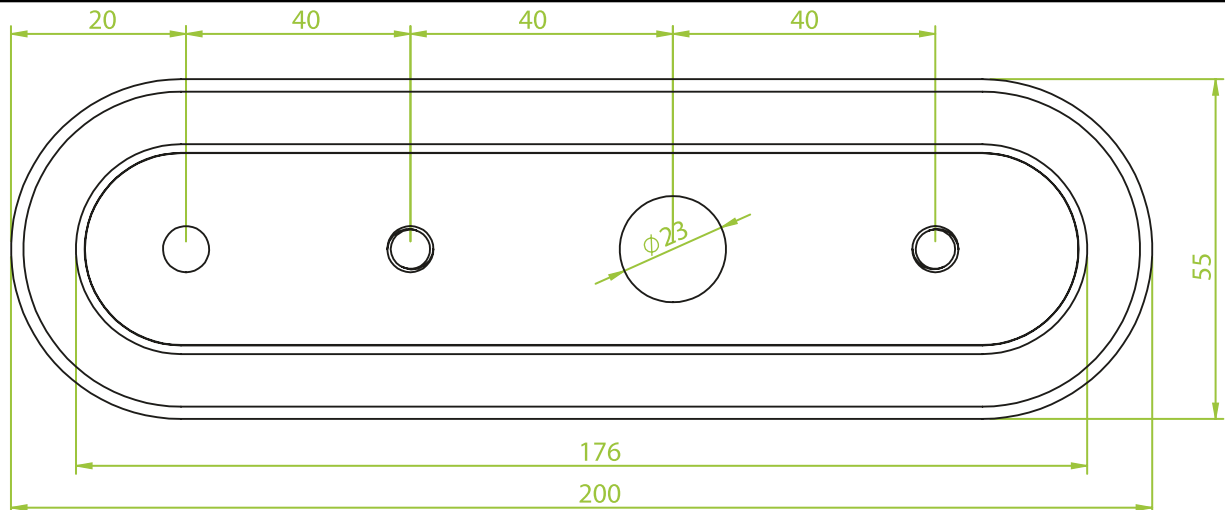
Hub | Stroke: 5.0 mm



Art.: 33.200055.027\_

Gewicht | Weight: 145.0 gr

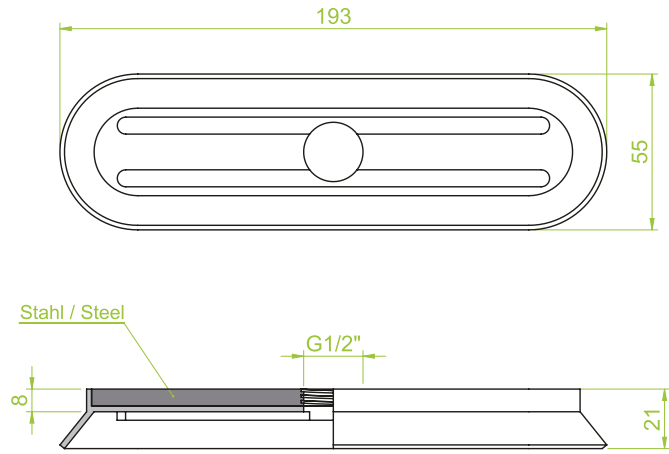
Hub | Stroke: 5.6 mm



**Rechteck- & Ovalsauger | Rectangular & Ovale vacuum cups**

Art: 33.200055.039\_

Gewicht | Weight: 151.1 gr  
 Hub | Stroke: 5.0 mm

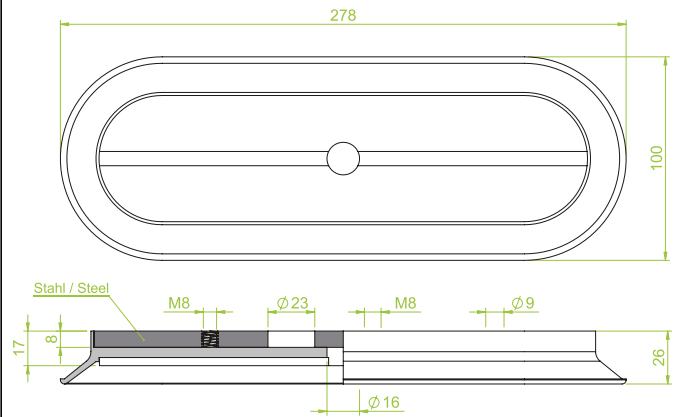


200 x 55 mm

280 x 100 mm

Art: 33.280100.043\_

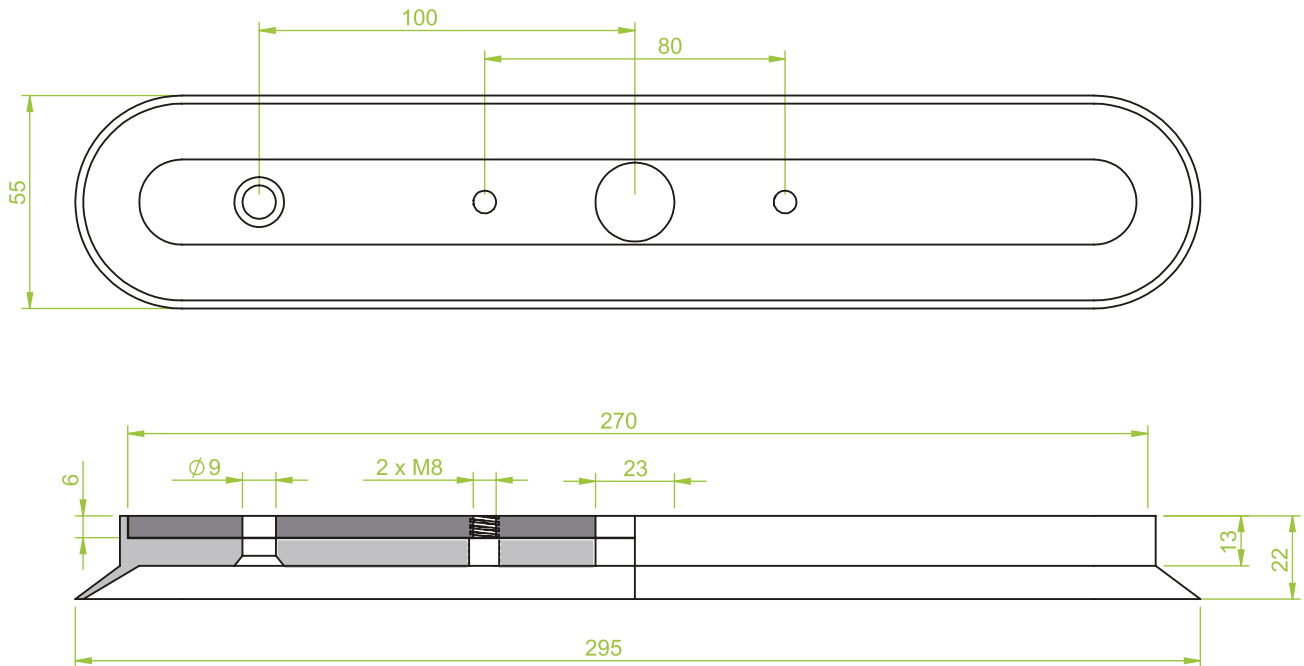
Gewicht | Weight: 511.8 gr  
 Hub | Stroke: 6.6 mm



Art.: 33.300055.029\_

Gewicht | Weight: 213.7 gr

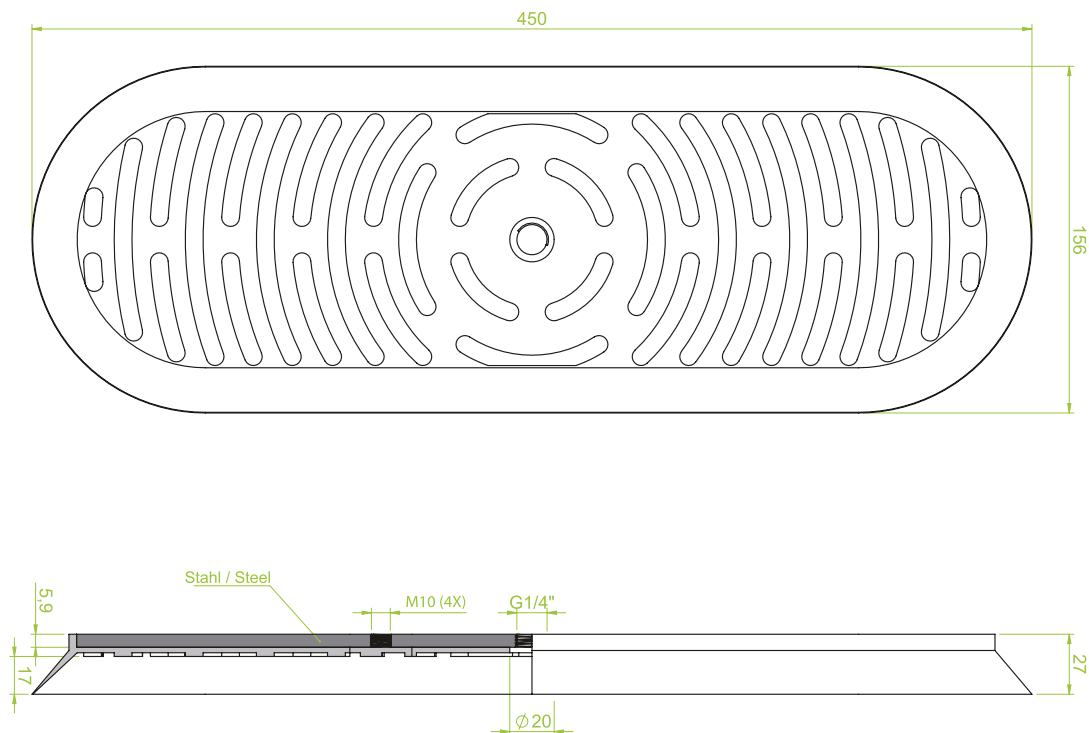
Hub | Stroke: 6.8 mm



Art.: 33.450156.035\_

Gewicht | Weight: 3830.0 gr

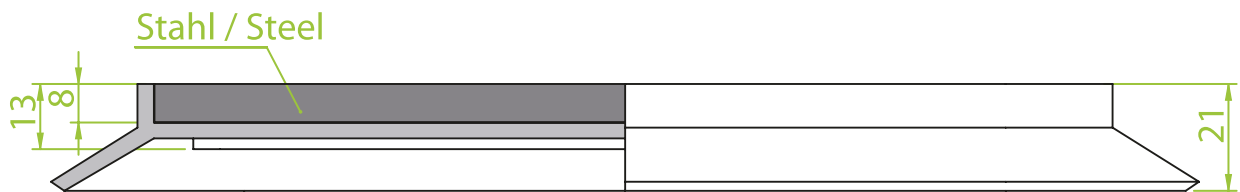
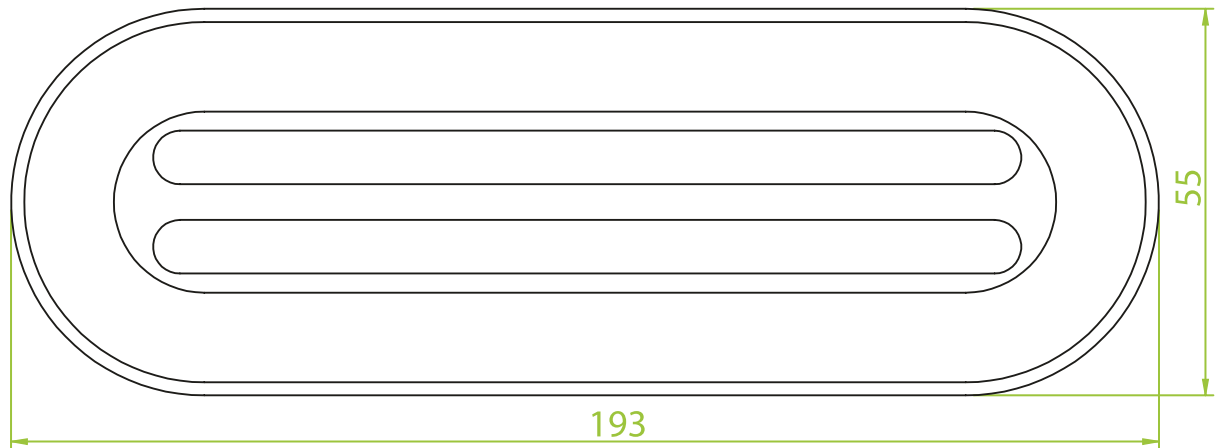
Hub | Stroke: 4.0 mm



Art.: 35.200055.027\_

Gewicht | Weight: 161.2 gr

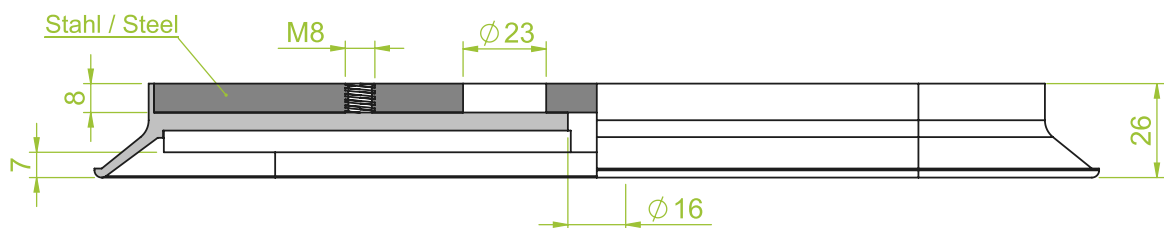
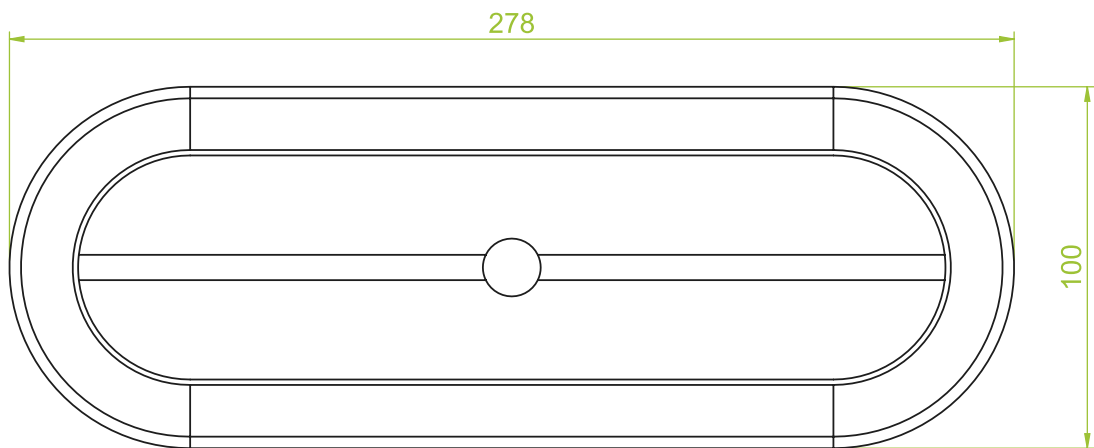
Hub | Stroke: 6.7 mm



Art.: 35.280100.033\_

Gewicht | Weight: 508.8 gr

Hub | Stroke: 6.5 mm

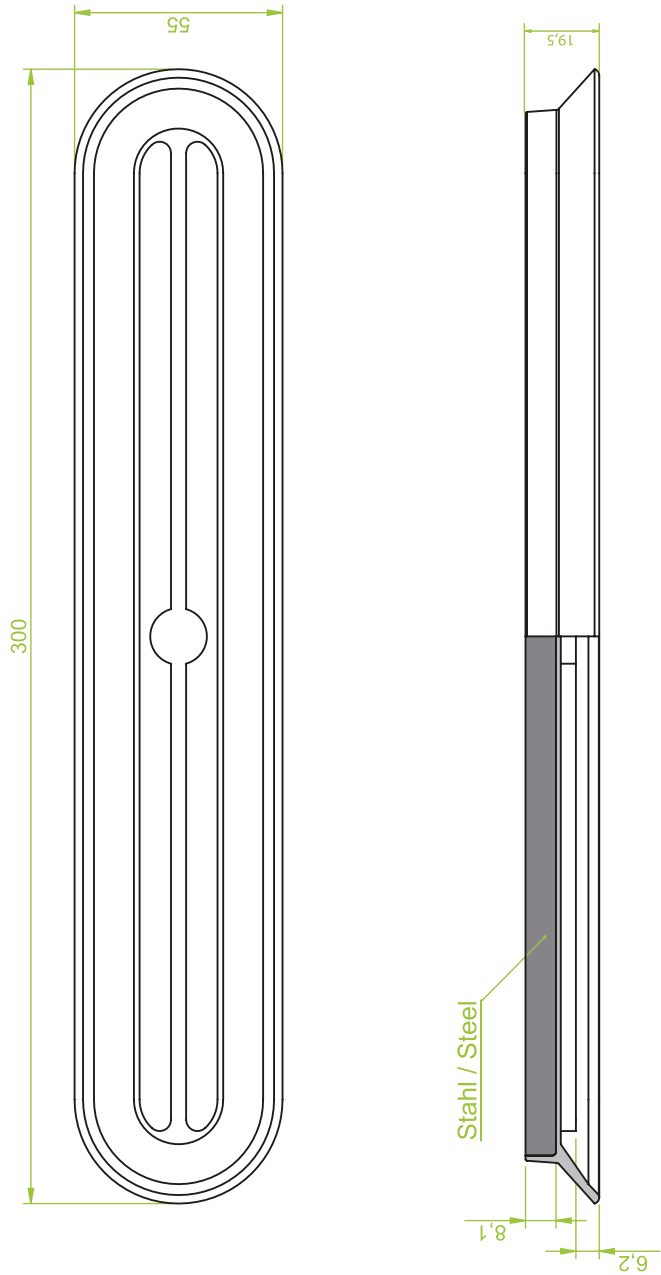




Rechteck- & Ovalsauger | Rectangular & Ovale vacuum cups

Art.: 35.300055.006\_

Gewicht | Weight: 493.0 gr  
 Hub | Stroke: 8.8 mm

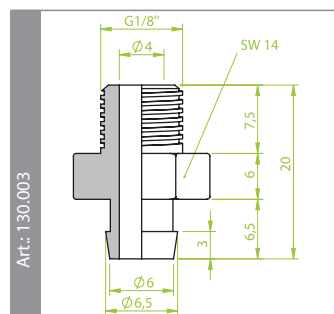
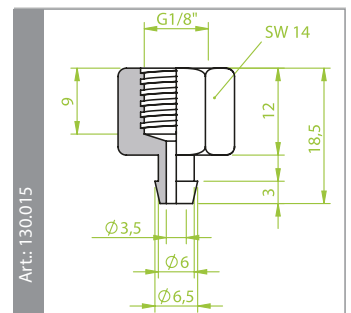
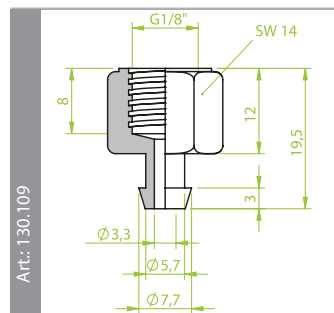
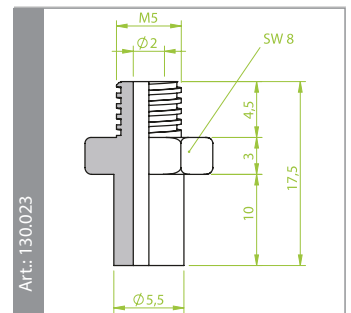
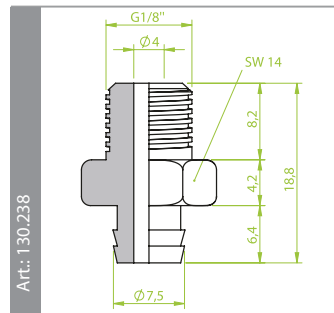
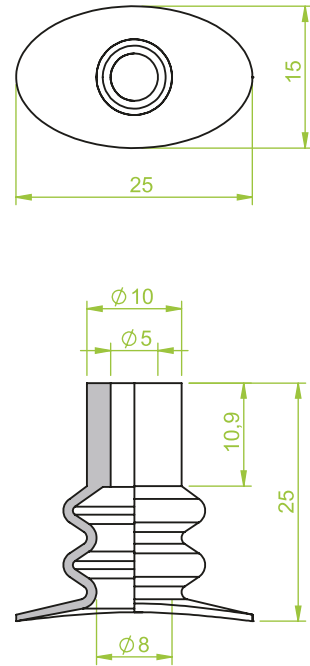


300 x 55 mm

25 x 15 mm

Art.: 40.025015.010\_

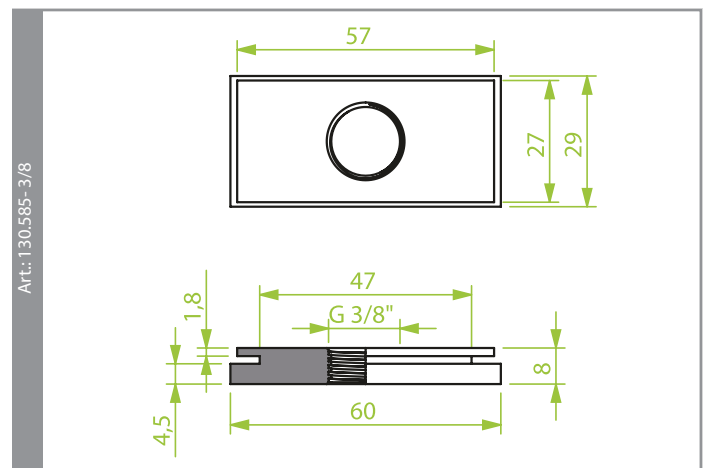
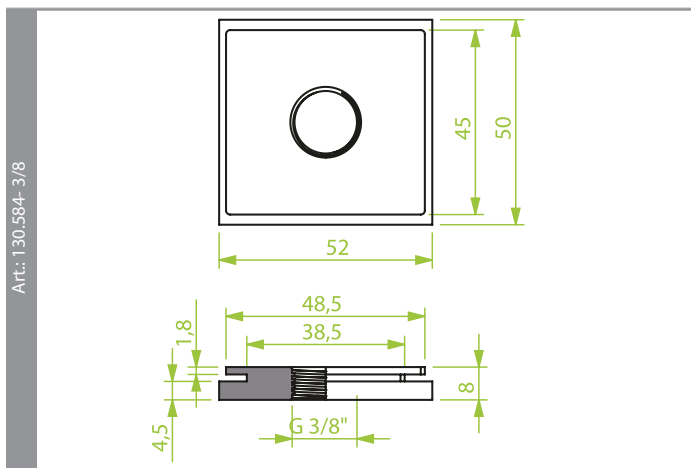
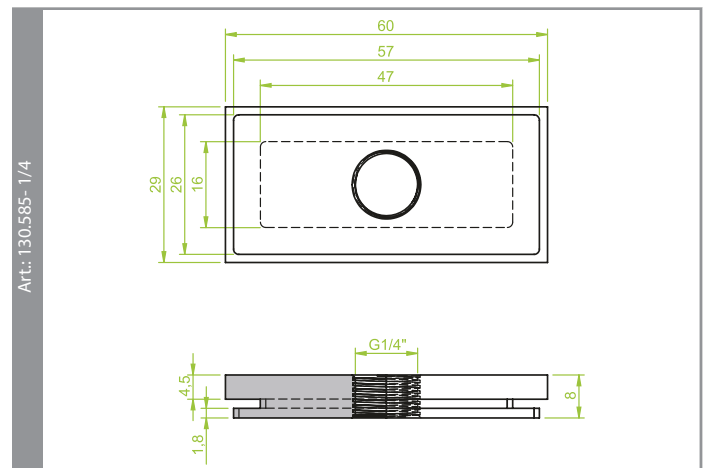
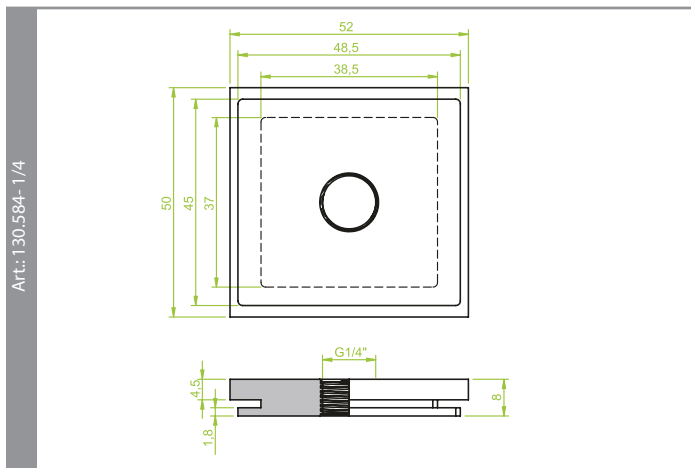
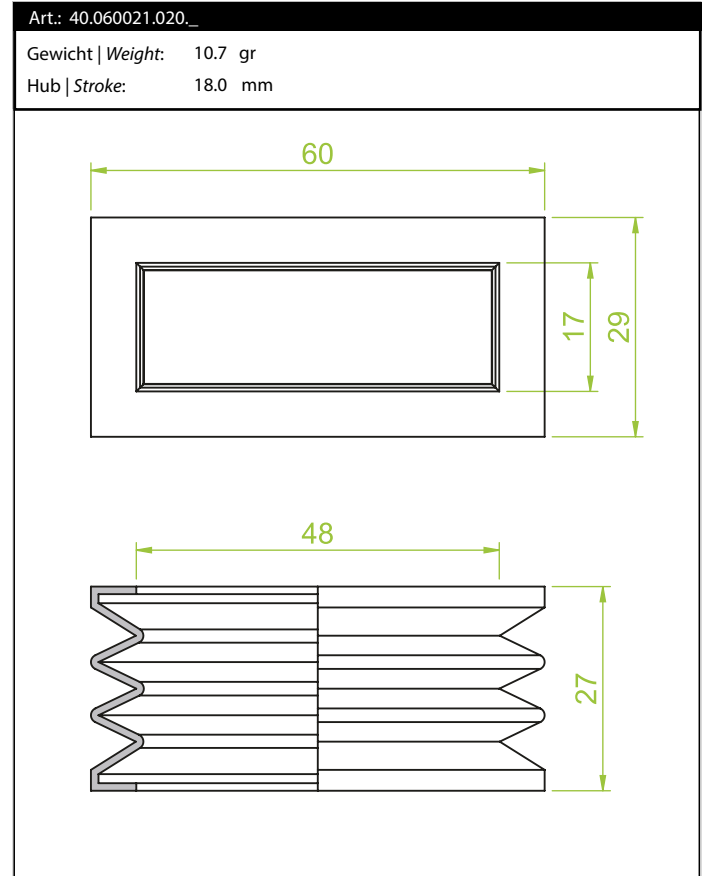
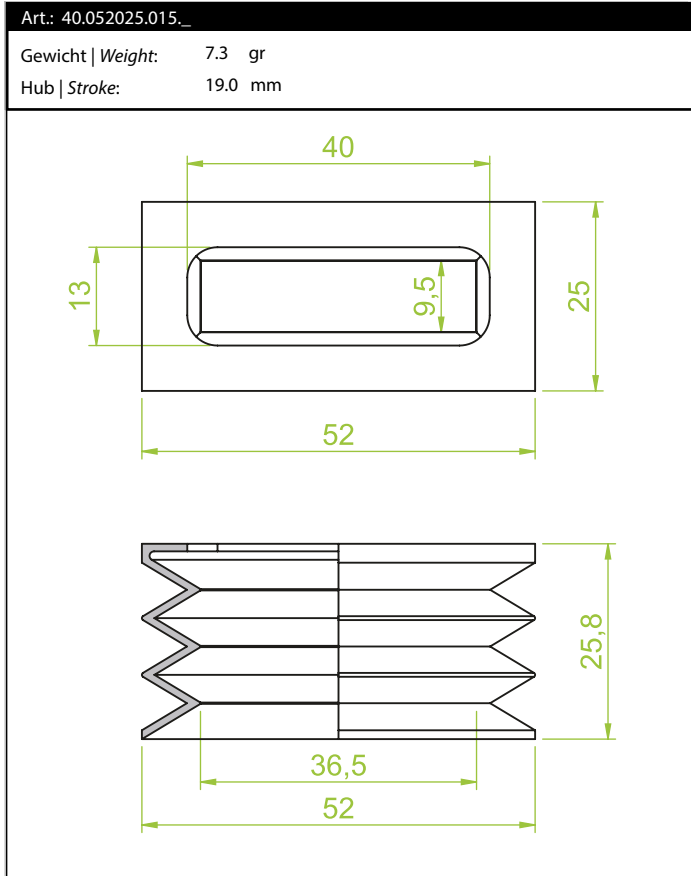
Gewicht | Weight: 2.7 gr  
 Hub | Stroke: 1.0 mm



Rechteck- & Ovalsauger | Rectangular & Ovale vacuum cups

52 x 25 mm

60 x 21 mm



Rechteck- & Ovalsauger | Rectangular & Ovale vacuum cups

60 x 29 mm

80 x 50 mm

